

For reference only. See data sheet for the detailed specifications.

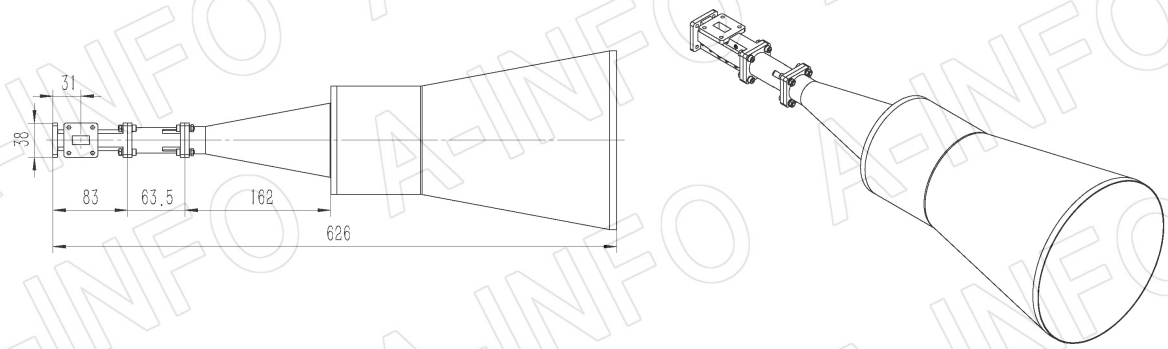
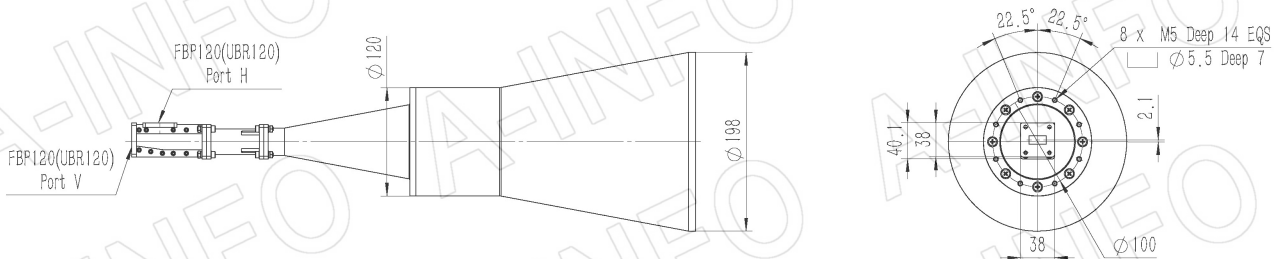
Technical Specification



Frequency Range(GHz)	12.0 - 15.0
Waveguide	WR75
Gain(dBi)	25 Typ.
Polarization	Dual Linear
3dB Beamwidth(deg)	E Plane: 8 Typ.
	H Plane: 9 Typ.
Cross Pol. Isolation(dB)	40 Typ. ; 30 Min.
Port to Port Isolation(dB)	50 Typ. ; 40 Min.
VSWR	A Type: 1.8:1 Max.
	C Type: 2.0:1 Max.
Output	A Type: FBP120(UBR120)
	C Type: SMA-Female or N-Female or TNC-Female or 7mm or 3.5mm-Female
Material	Al
Finish	Silver Plated and Chemical Conversion Coating, Gray Paint
Size(mm)	A Type: 198 x 198 x 626
	C Type: 198 x 198 x 656
Net Weight(Kg)	A Type: 2.30 Around
	C Type: 2.38 Around

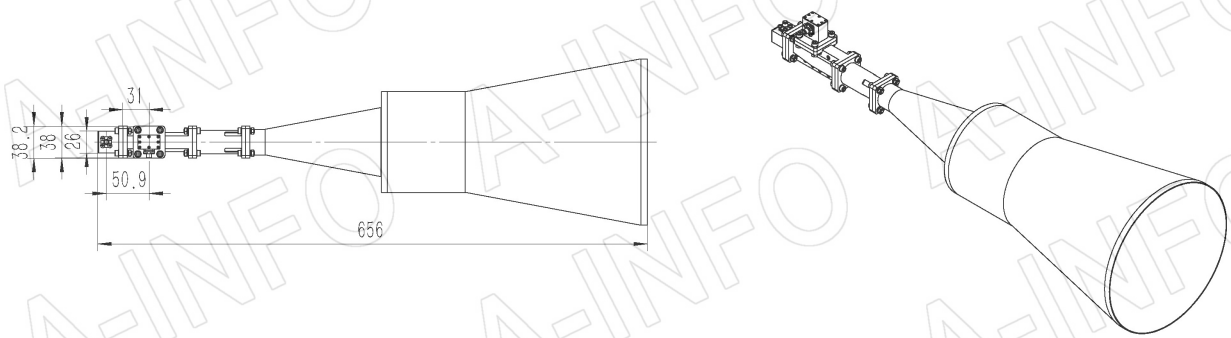
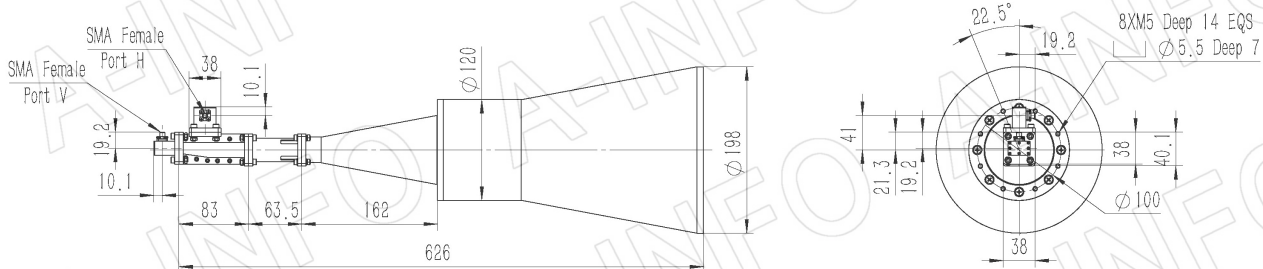
Outline Drawing (Size: mm)

FBP120 Output (P/N: LB-CNH-75-25-T26-A)



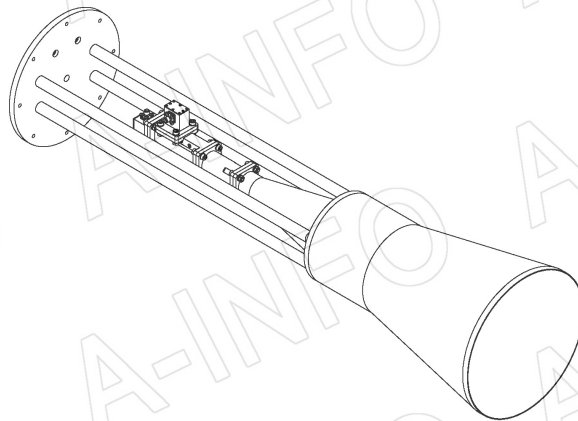
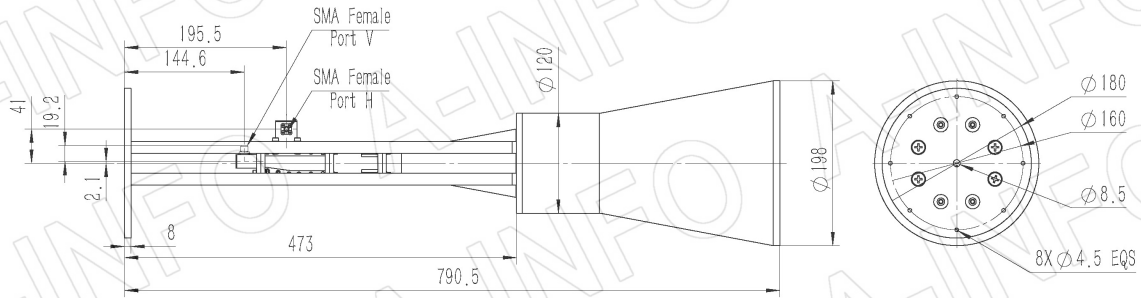
SMA-Female Output (P/N: LB-CNH-75-25-T26-C-SF)

For N-Female, TNC- Female, 7mm or 3.5mm-Female output outline drawing, please contact A-INFO.



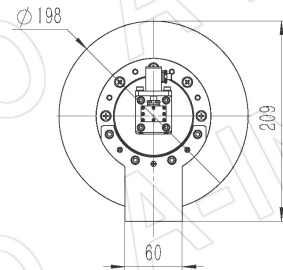
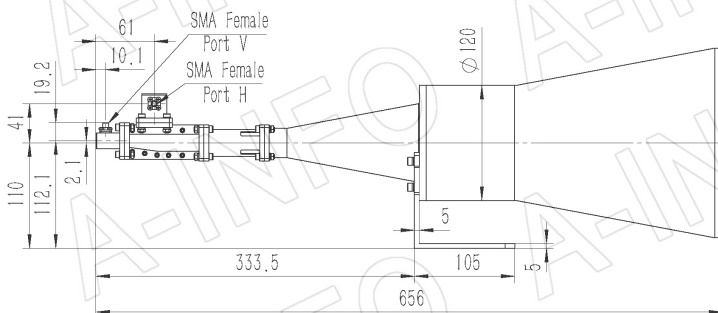
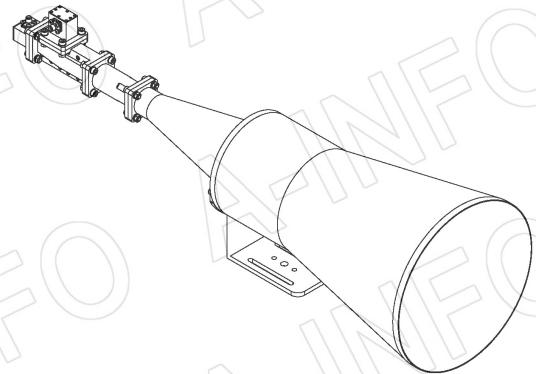
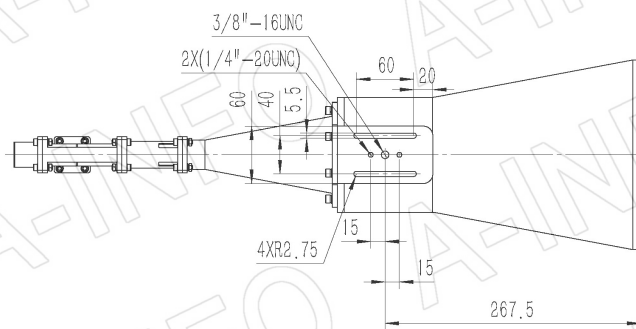
SMA-Female Output with Round Mounting Bracket (Option, P/N: LB-CN75-25-MB)

For N-Female, TNC- Female, 7mm or 3.5mm-Female output outline drawing, please contact A-INFO.

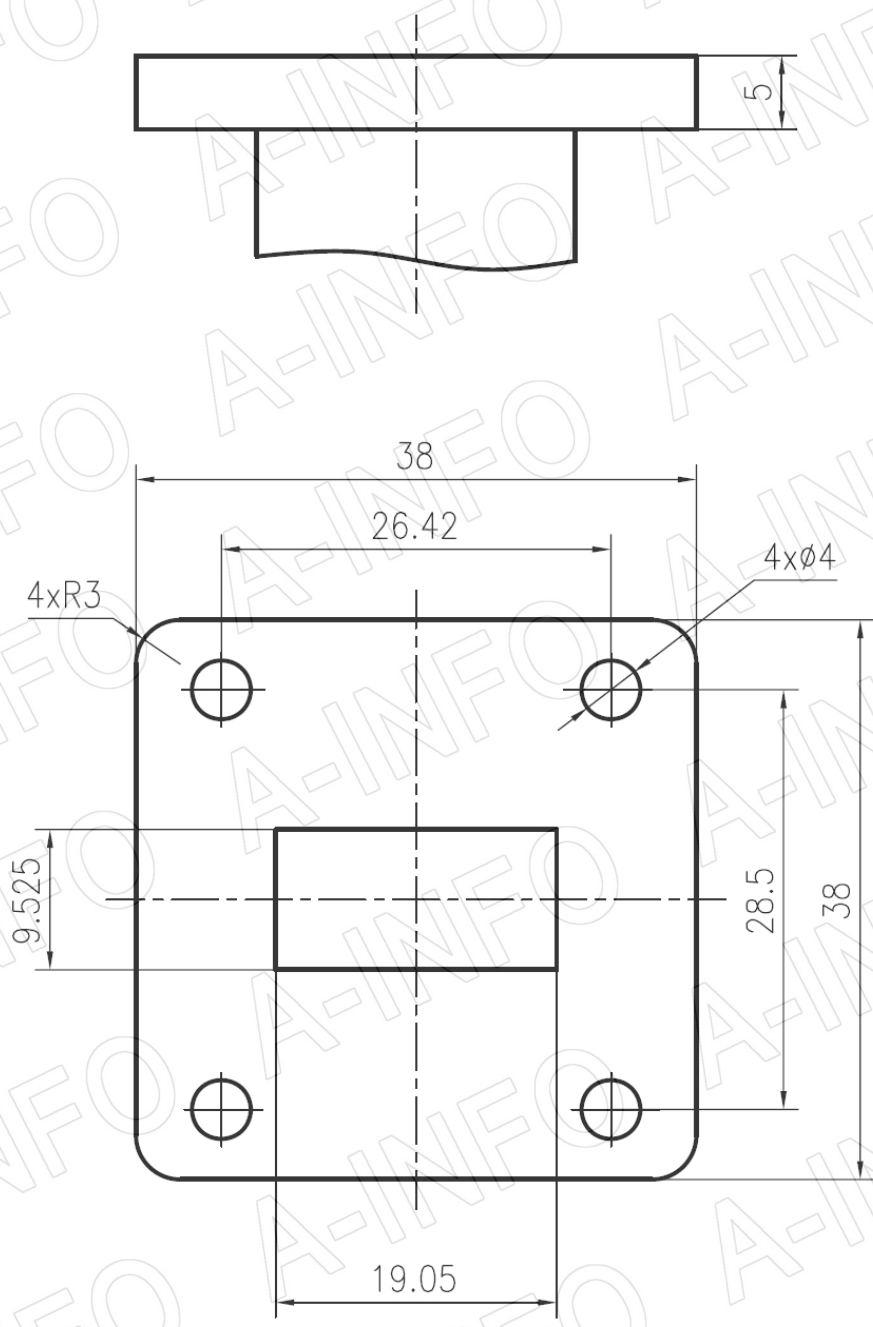


SMA-Female Output with L Type Mounting Bracket (Option, P/N: LB-CN75-25-L)

For N-Female, TNC- Female, 7mm or 3.5mm-Female output outline drawing, please contact A-INFO.



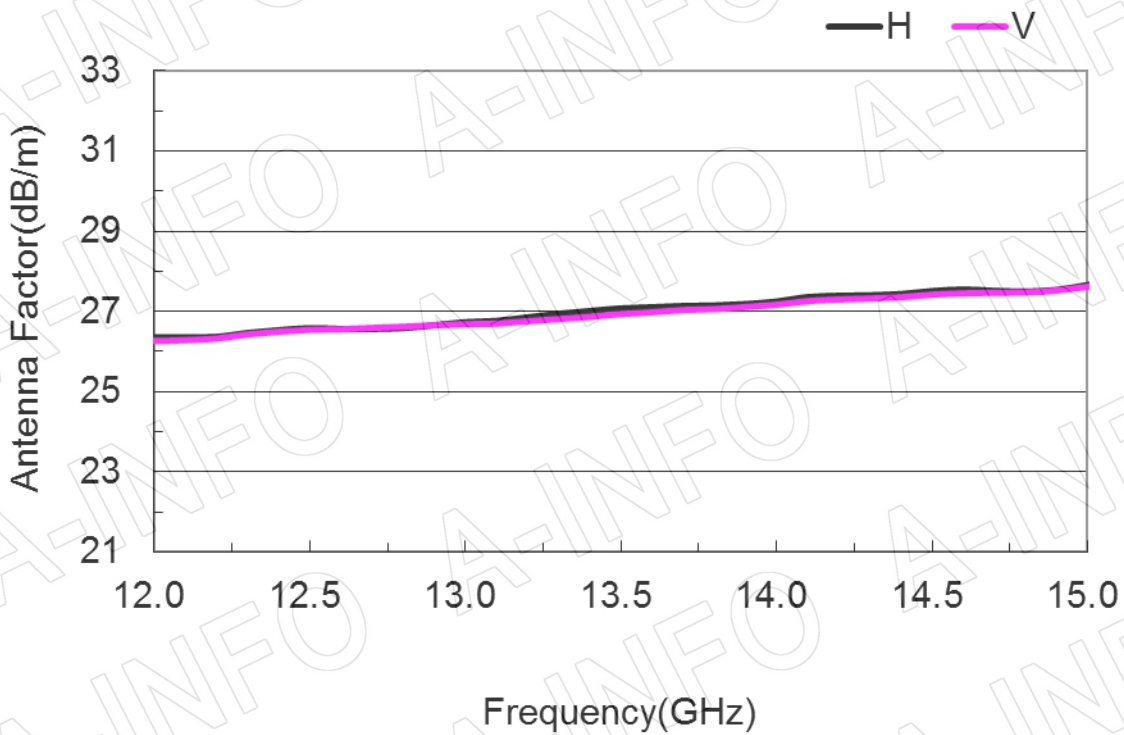
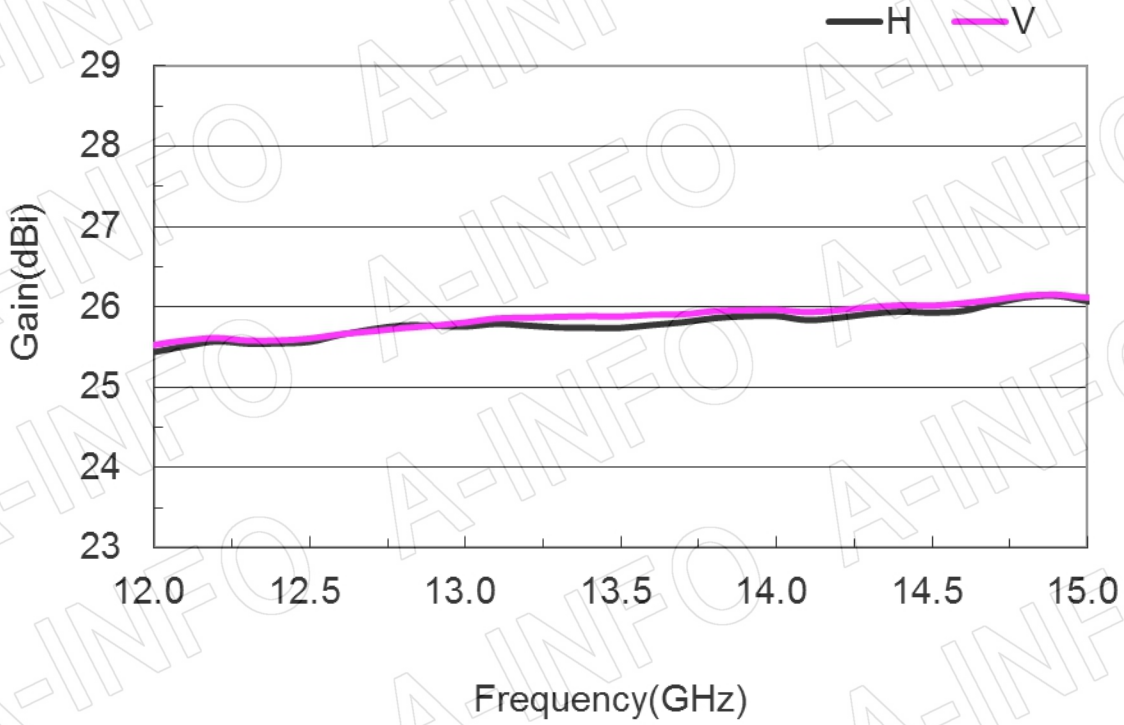
Flange Drawing (Size: mm)



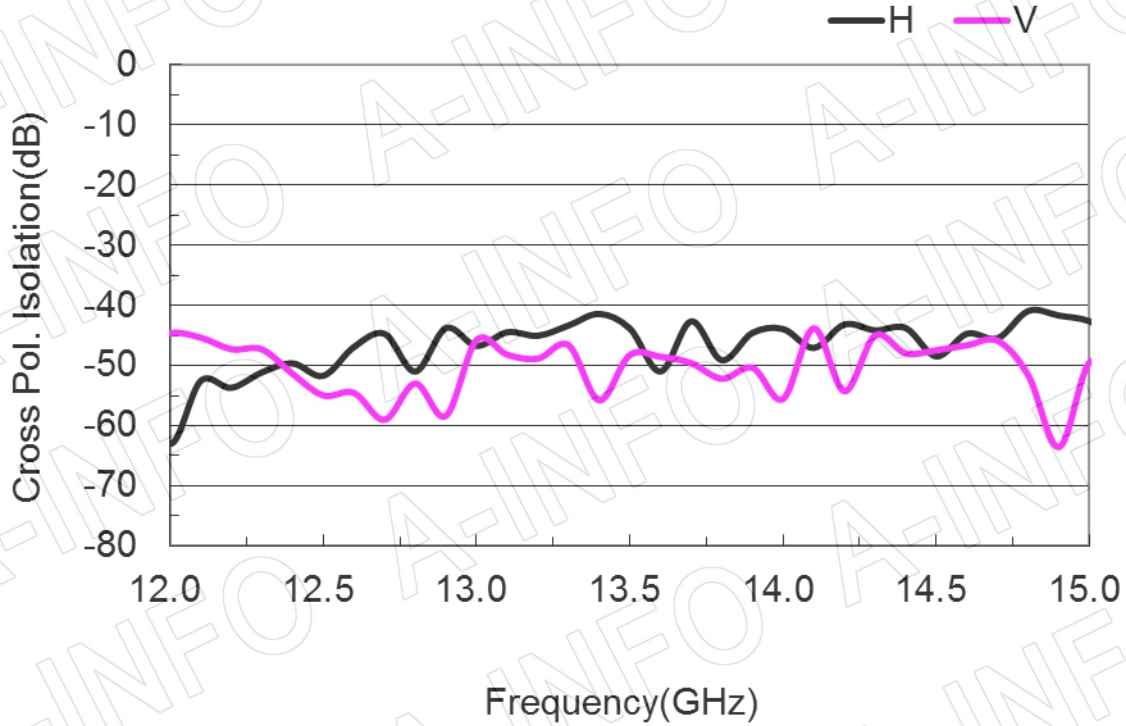
FBP120

Test Results

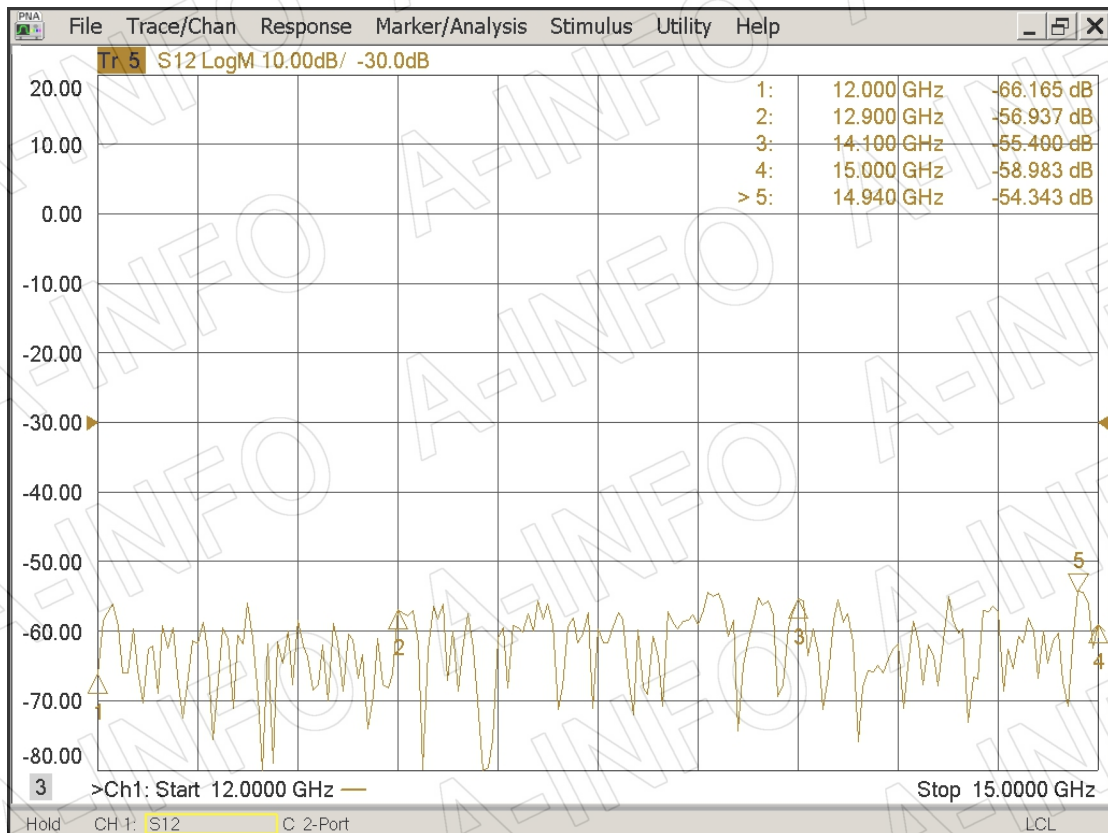
1. Gain & Antenna Factor



2. Cross Polarization Isolation

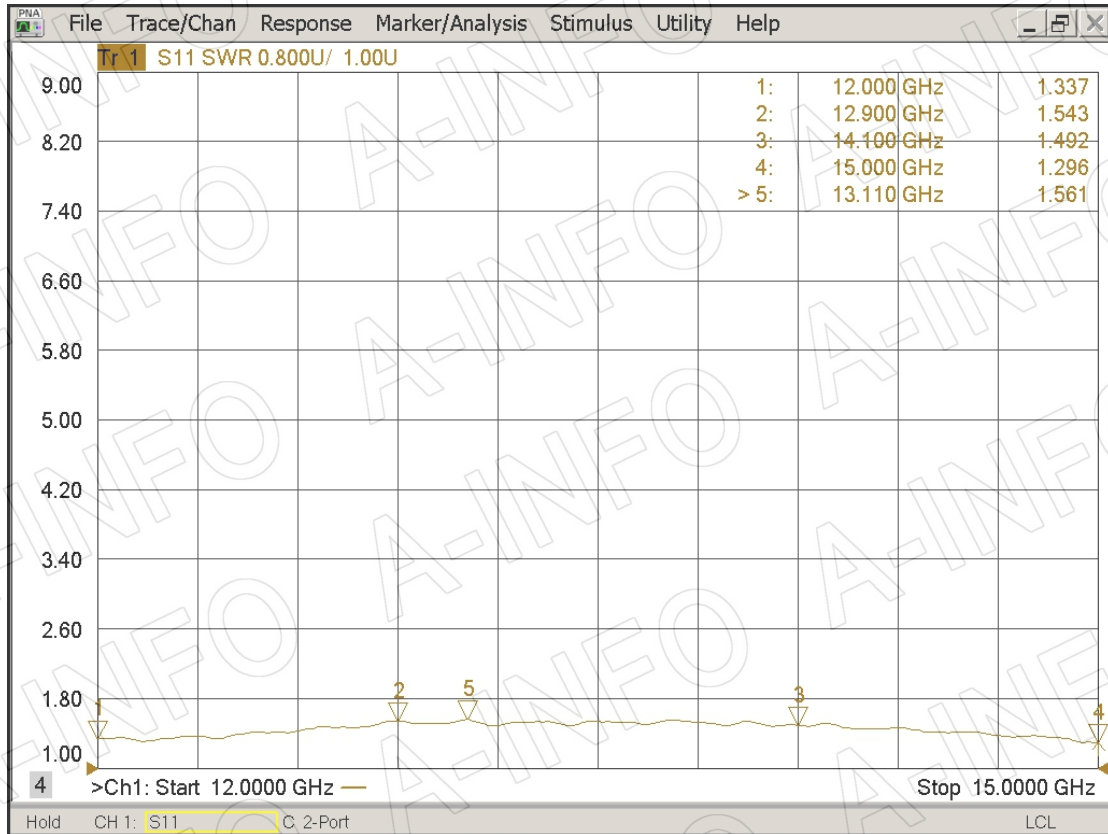


3. Port to Port Isolation

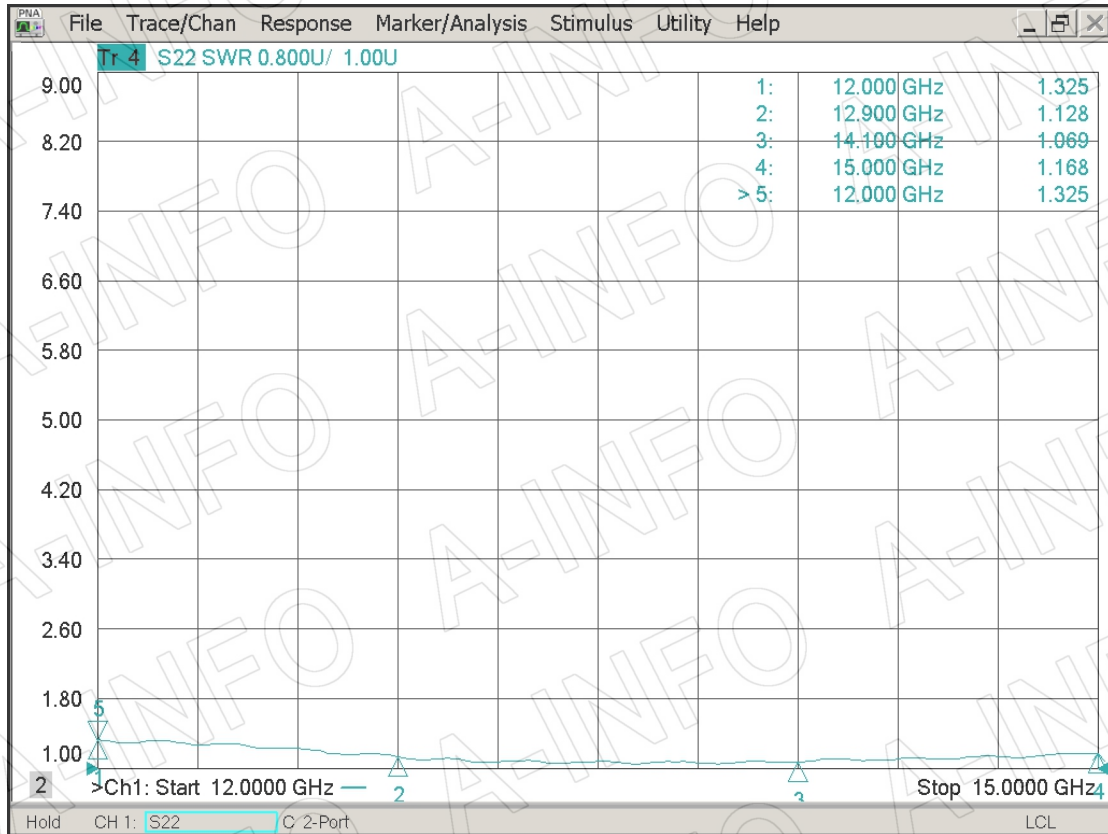


4. VSWR_A Type

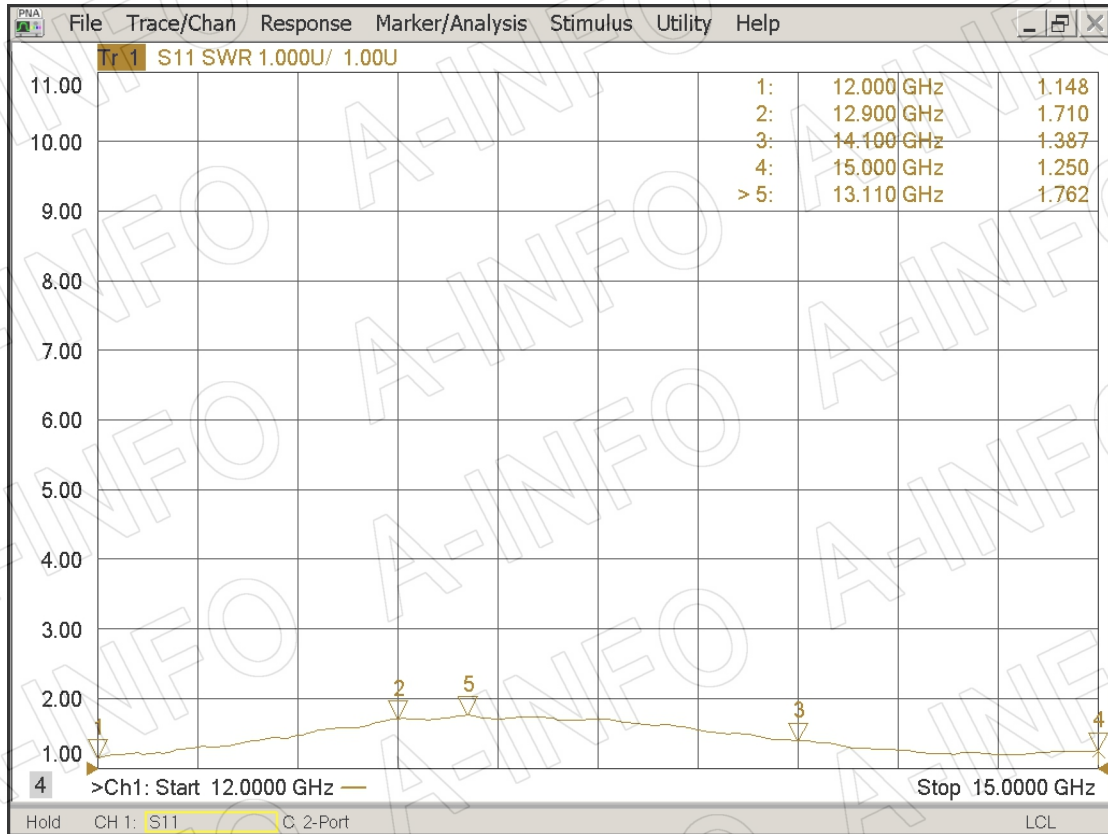
Port-H



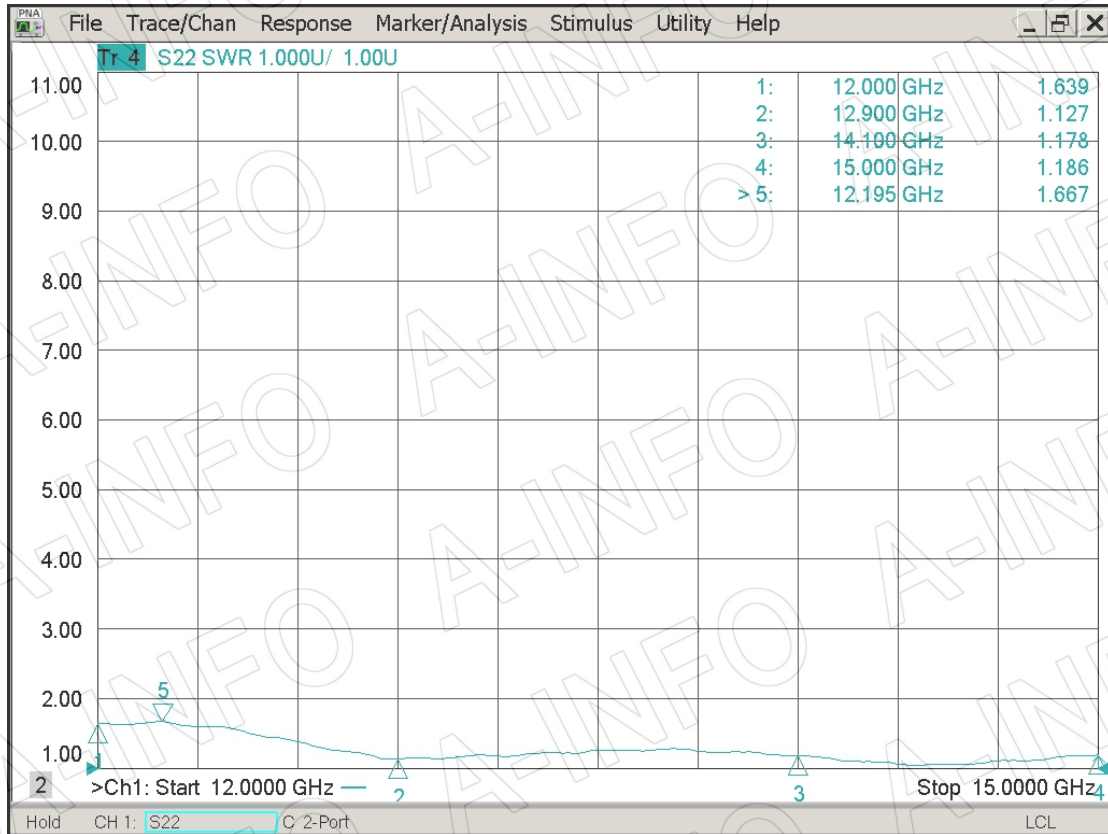
Port-V



VSWR_C Type
Port-H



Port-V



5. Pattern

